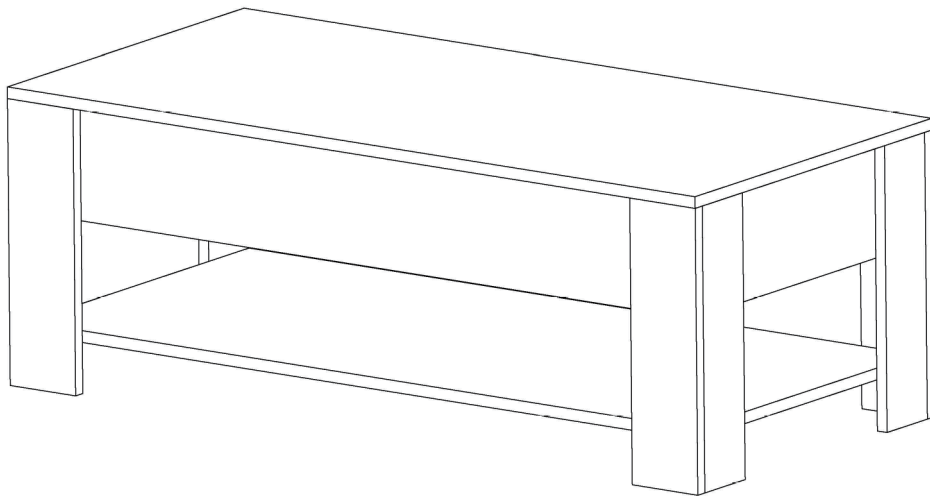


Assembly Instructions







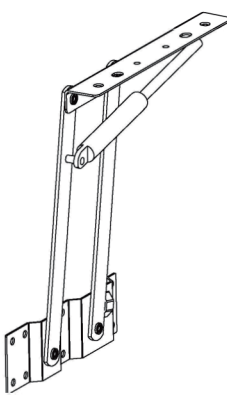
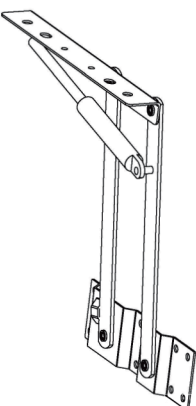
Lift Top Coffee Table

RH1911-01

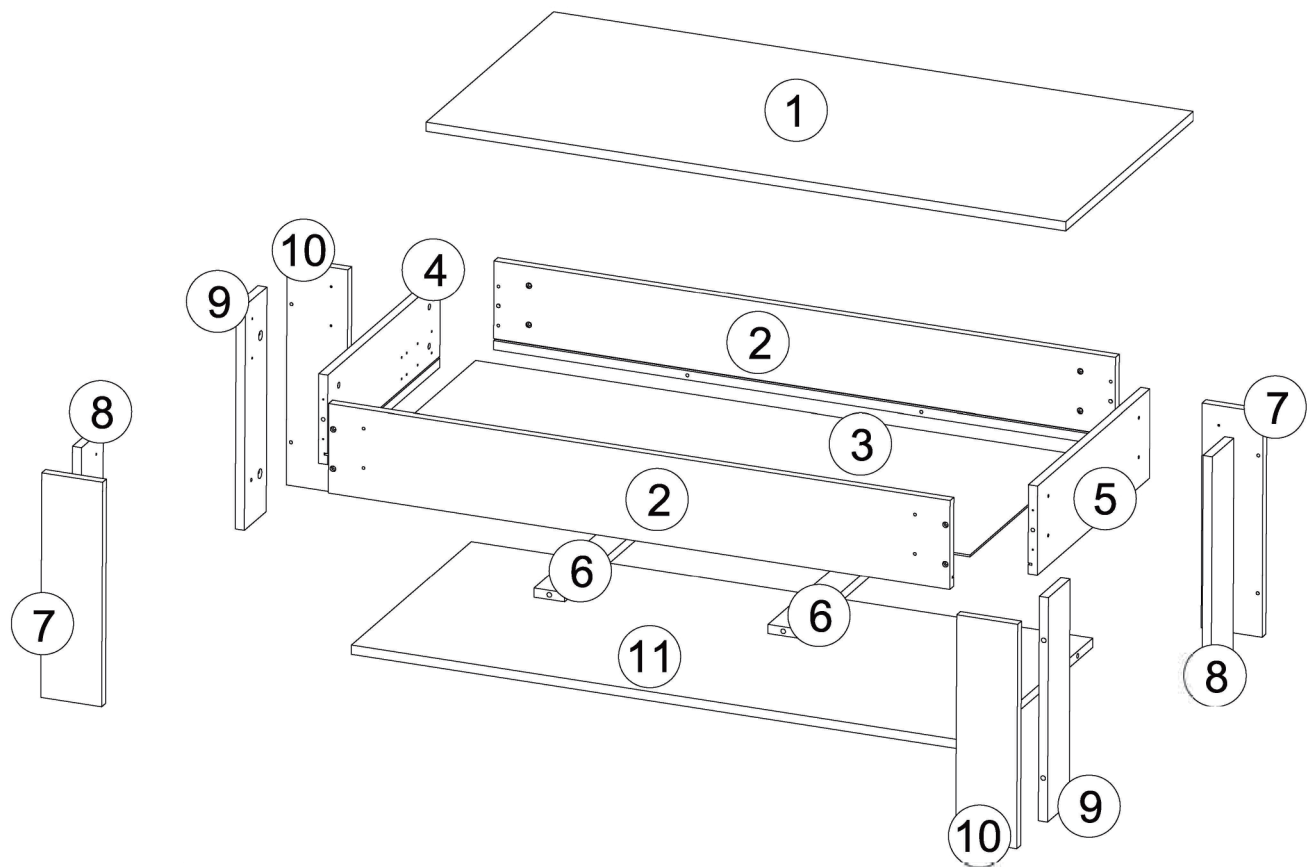


1. Please read the assembly instruction carefully before assembling and check all the parts quantity.
2. Please assemble the item according to this assembly instruction step by step.

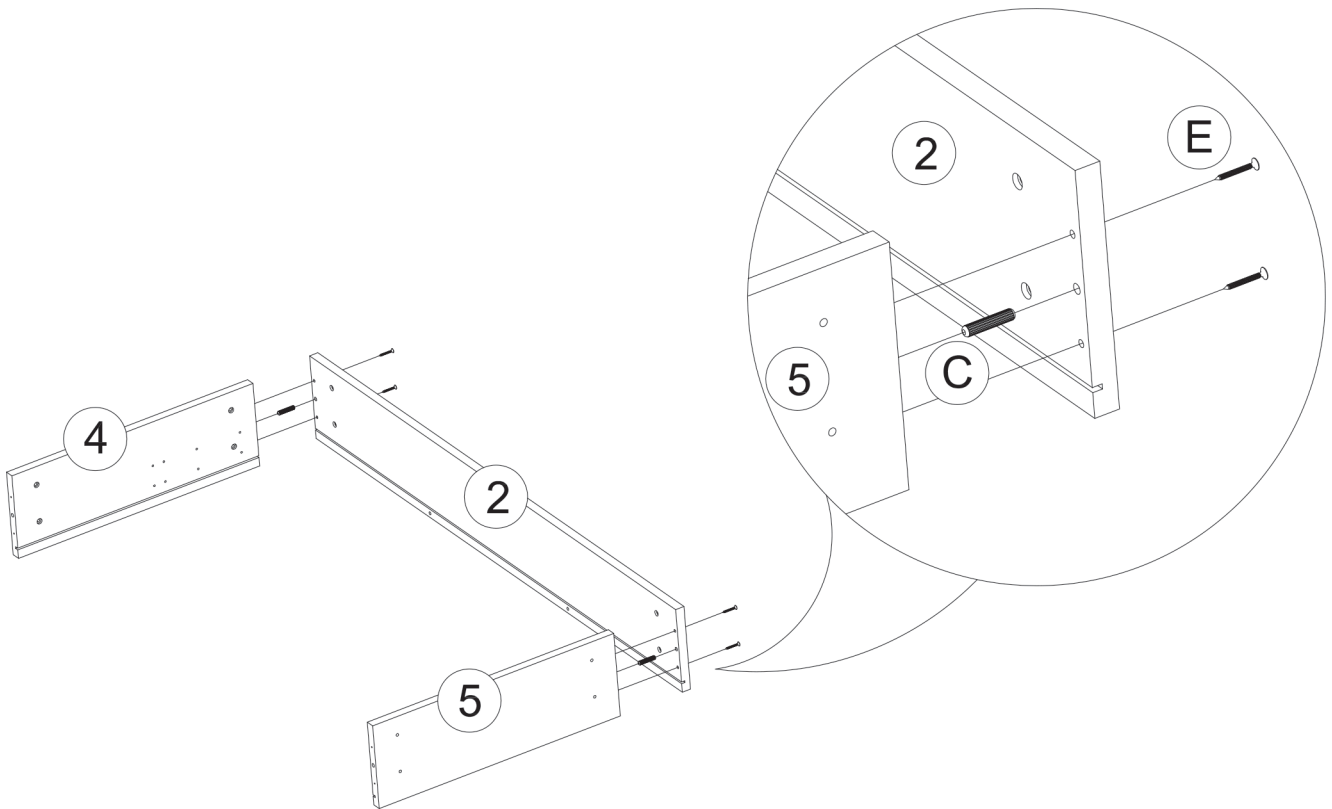
Hardware Provided

<p>A</p>  <p>X16</p>	<p>B</p>  <p>X16</p>	<p>C</p>  <p>X16</p>
<p>D</p>  <p>X28</p>	<p>E</p>  <p>X8</p>	<p>F</p>  <p>X16</p>
<p>G</p>  <p>X1</p>		<p>H</p>  <p>X1</p>

Parts Identification

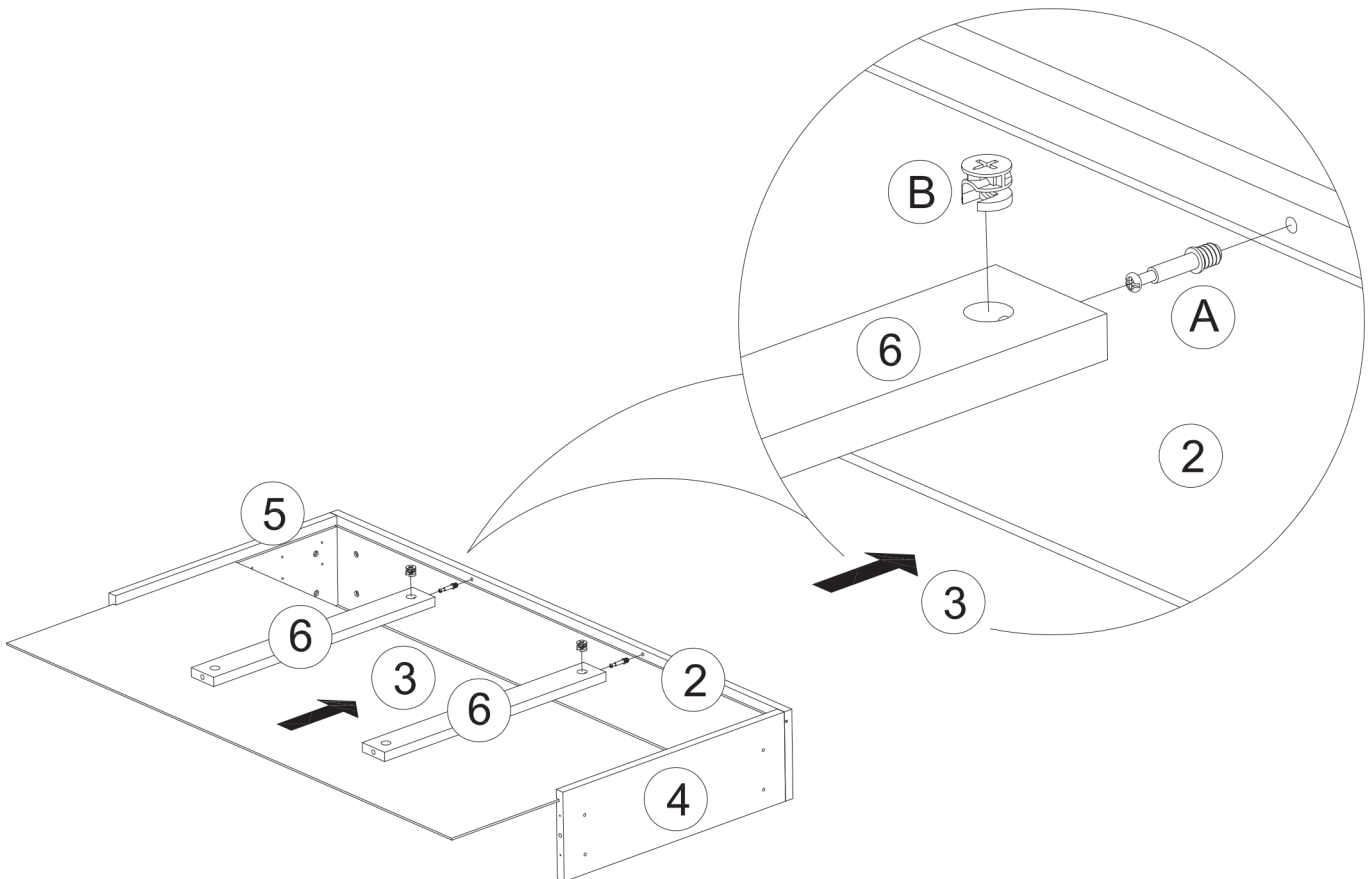


Step1



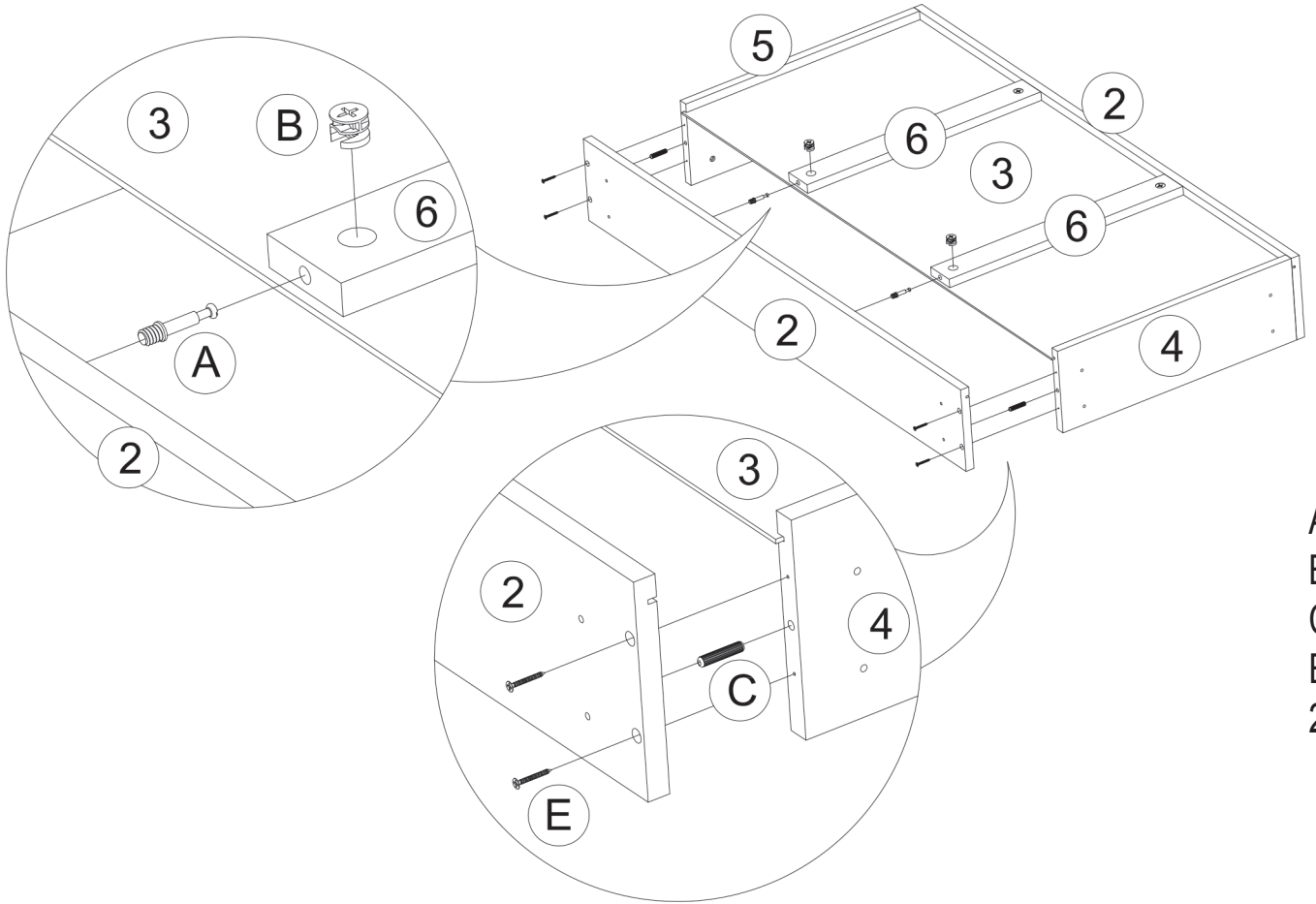
C*2
E*4
5*1
2*1
4*1

Step2



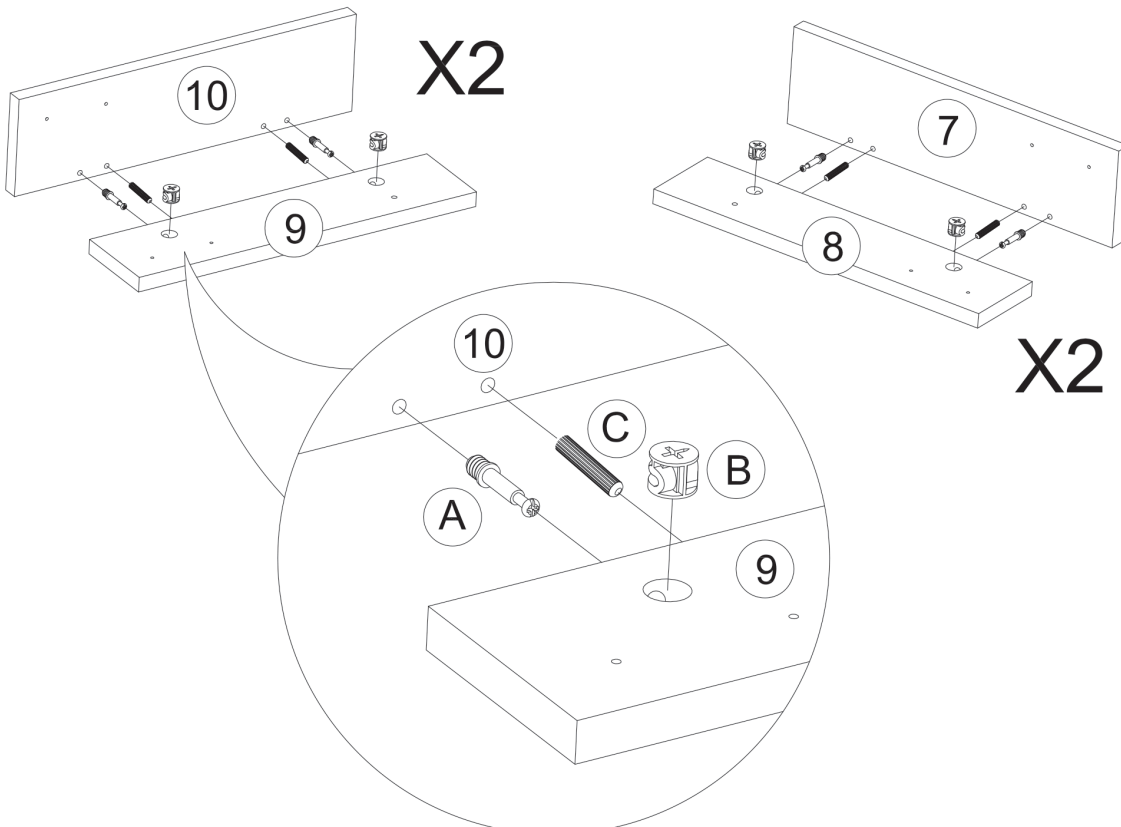
A*2
B*2
3*1
6*2

Step3



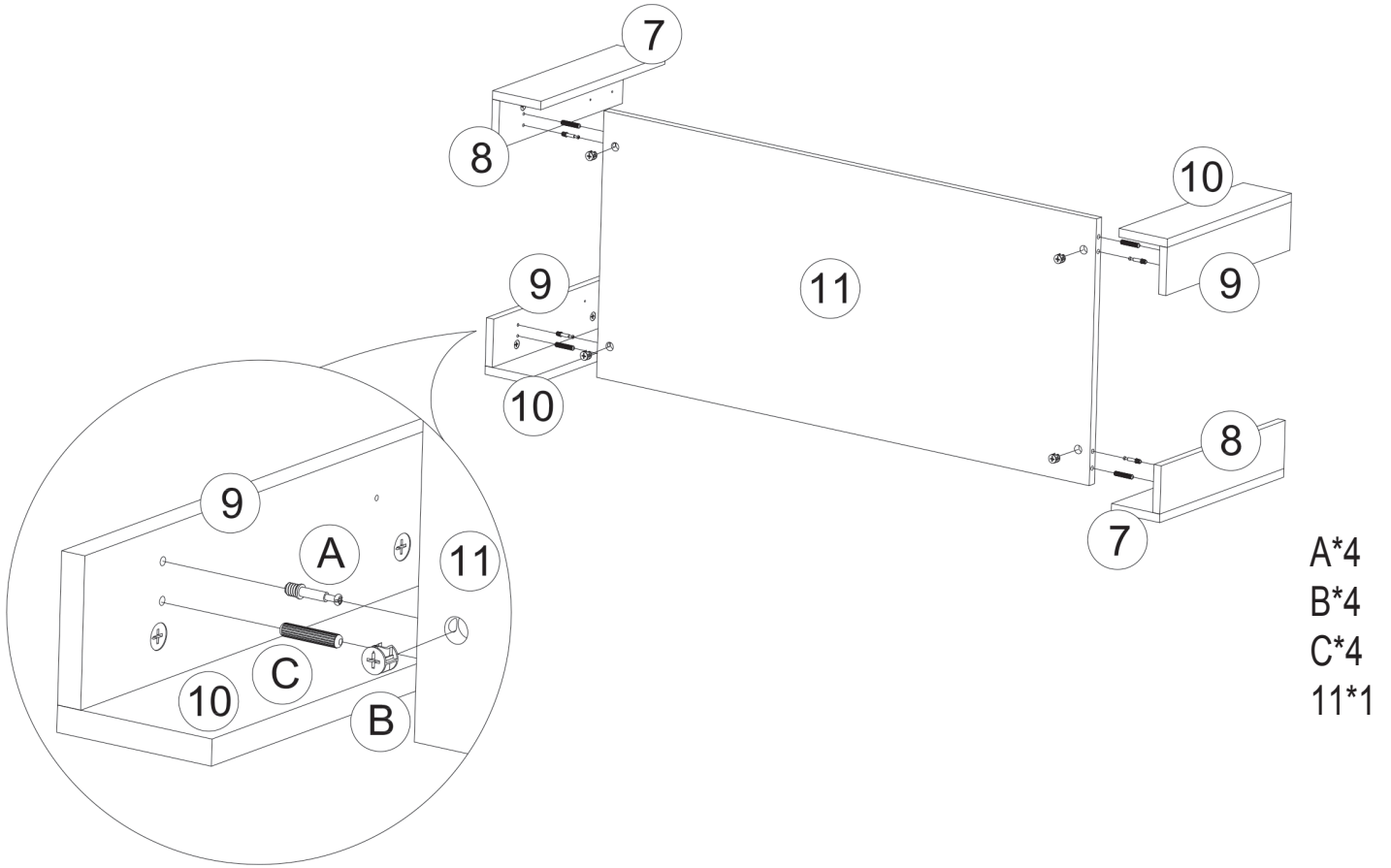
A*2
B*2
C*2
E*4
2*1

Step4

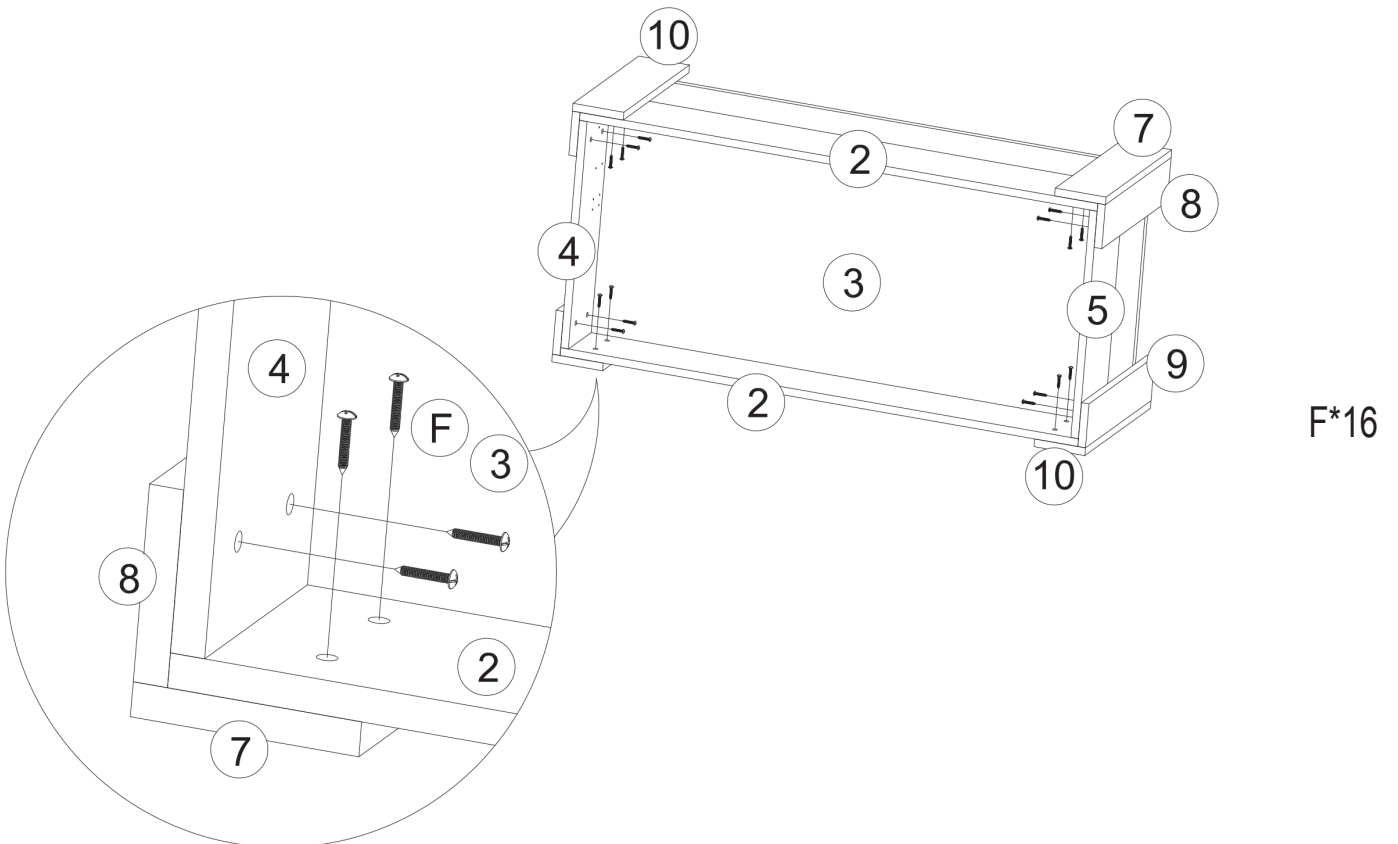


A*8
B*8
C*8
7*2
8*2
9*2
10*2

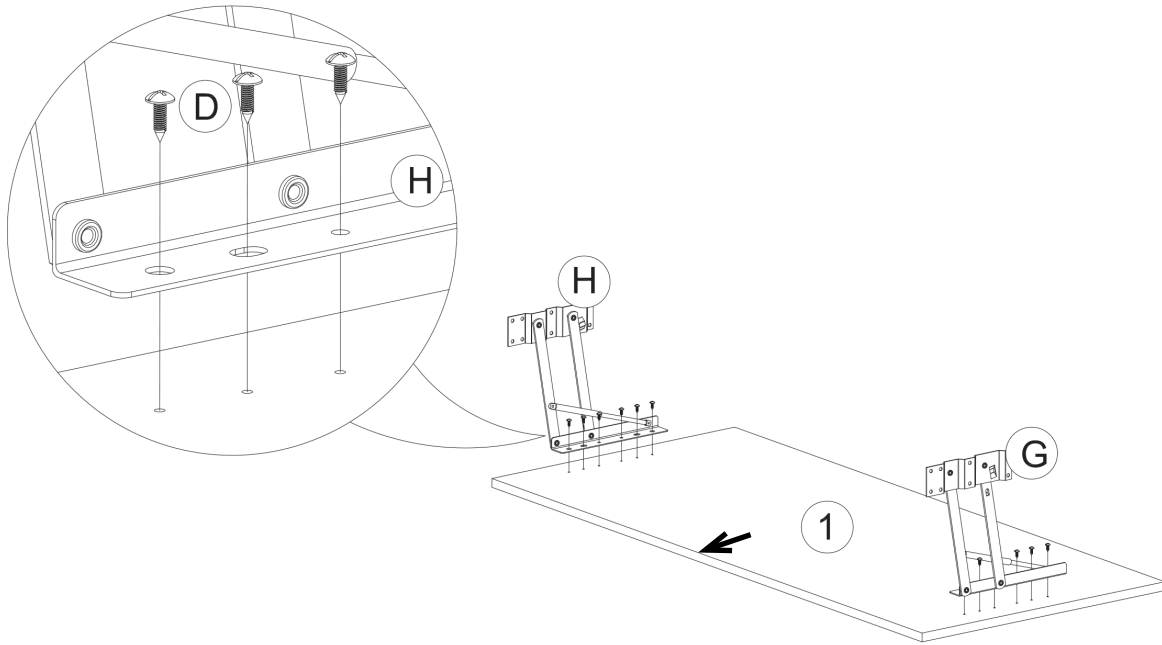
Step5



Step6

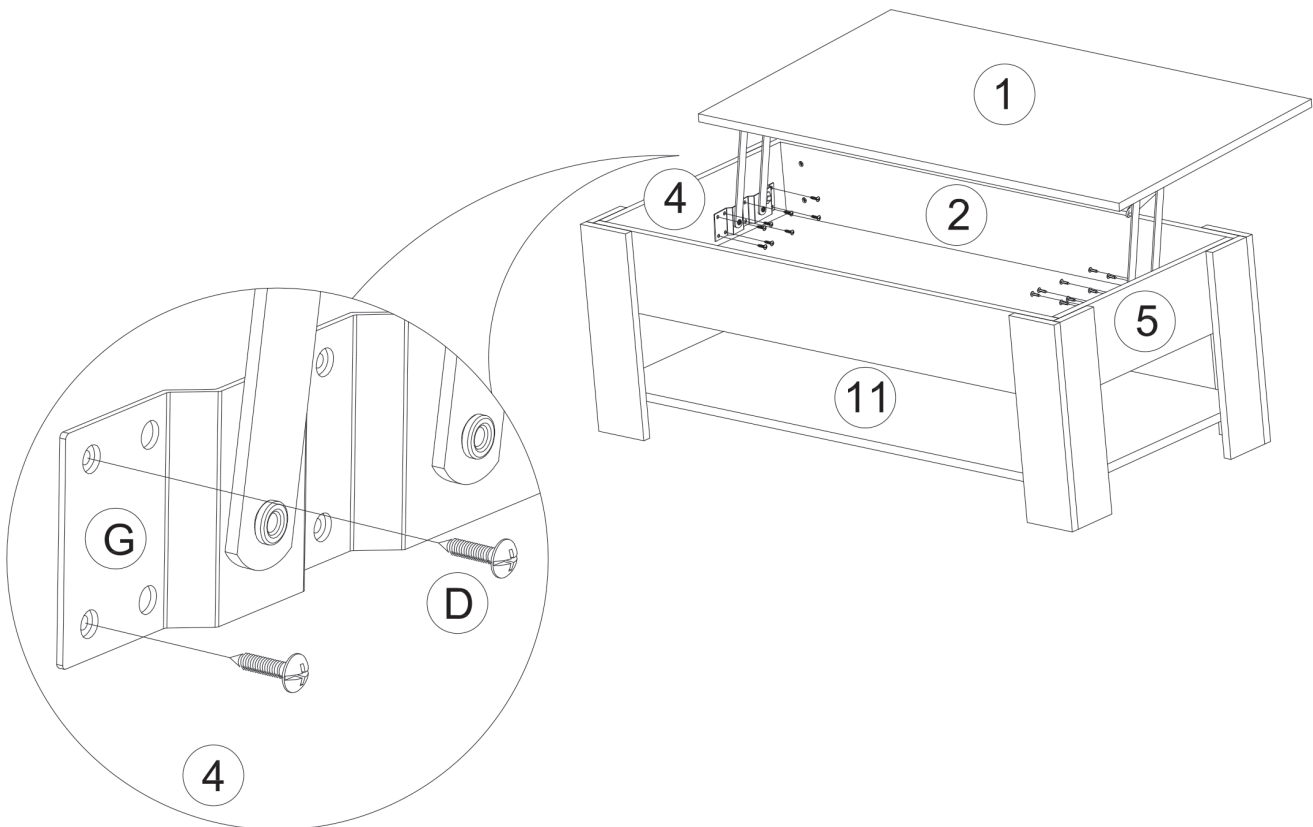


Step7



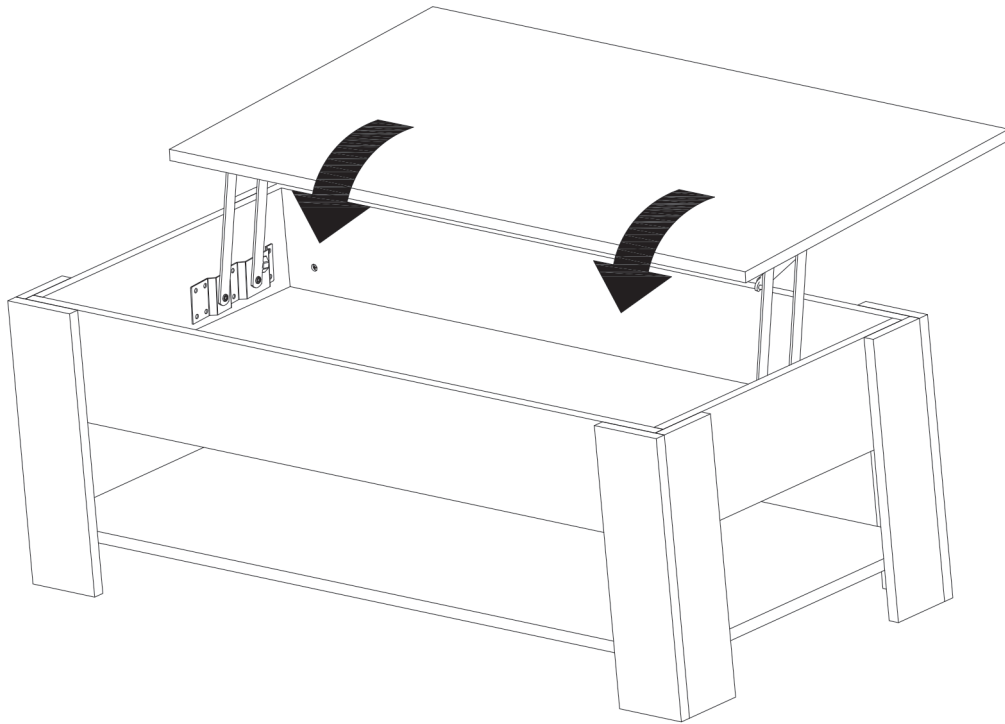
D*12
H*1
G*1
1*1

Step8



D*16

Step9



Step10

